

Butterfly Trapeze Hanger



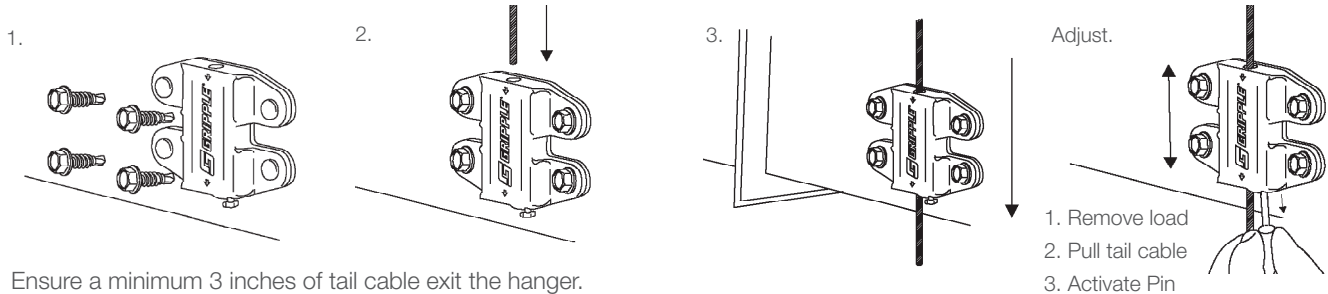
Cable hanger with one-way fastener or the fast suspension of rectangular duct and similar equipment in an indoor stationary setting. NOT suitable for use in chlorinated / swimming pool environments.

FEATURES / BENEFITS

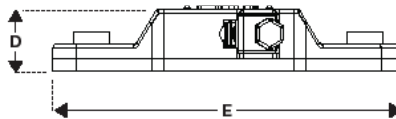
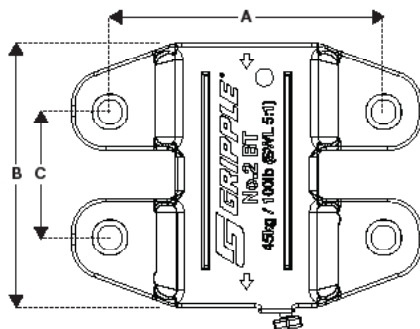
- Attaches to side of duct with self-drilling screws (not provided)
- Rubber pad prevents air leakage and dampens vibration
- Simple height adjustment using the built-in release pin prior to applying load
- Conforms to DW144 Class D
- Ideal for rectangular duct suspended close to the ceiling; can also be used for multi-tiered installations
- Supplied as a ready-to-use kit comprising a length of cable with pre-attached end fixing



INSTALLATION & ADJUSTMENT



SIZE SPECS



Dimension	(inches)
A	1.54
B	1.50
C	0.71

Dimension	(inches)
D	0.35
E	2.00

AVAILABLE END FIXINGS



For more options on available end fixings please contact us or visit www.gripplE.com

CABLE SPECS

Galvanized high tensile steel cable to EN12385. Standard lengths from 5ft-30ft, other lengths can be made to order.

	No.2
Cable Diameter	5/64"
Strand Configuration	7x7
Min. Breaking Load	500 lbs
Max. Safe Working Load	100 lbs
Tensile Strength (lbs/sq.in.)	256,700

FASTENER SPECS

Housing - Type ZA2 Zinc

Wedge - Sintered steel hardened to min. 56 Rockwell C

Spring - Stainless Steel (Type 302)

End Cap - UV stabilized homopolymer propylene

Rubber Pad - EPDM 40±5 SHORE A

Pin - A2 Stainless Steel

Safe Working Load:

No.2 - up to 100 lbs @5:1 safety factor

PI-BTRAPEZE-CAN

www.gripplE.com

GripplE's policy is one of continuous development and innovation. We therefore reserve the right to alter specifications, etc. without notice.



GripplE Inc | 1611 Emily Lane | Aurora, IL 60502 | USA

Tel +1 866 474 7753 Fax +1 800 654 0689 Email gripplEinc@gripplE.com